

FlexFast™ Welder

Ver. 4.0



FlexFast™ Welder

Versatility and performance in a state-of-the-art welding package.

The FlexFast™ is one of the most comprehensive lines of fastener welders available today. It offers the ultimate in flexibility, durability and performance across a broad range of applications. With a long list of standard and optional features, the FlexFast™ Welder is the perfect solution for your welding needs.

What makes FlexFast™ unique?

▶ Common frame design for all FlexFast models

A modular platform enables the FlexFast family of welders to be offered in a wide range of configurations. It is designed to easily accommodate nut feeding, sensing components, and other automation features to customize the welder.

▶ Quick change services

Tool-less quick change enables tooling and electrode changeover in less than 5 minutes including service connections. Lightweight fixture design eliminates need for change over lift assist (application dependent). Many platen sizes for single or multiple part needs.



▶ Single or dual, MFDC transformers

To satisfy virtually any nut weld application. Simplifies upgrades and modifications that may be required for new applications or programs.

▶ Component options from industry leading suppliers

Transformers, controls, plumbing and valving brands can be supplied to match existing plant specifications.

▶ Fully compliant with ISO, OSHA and CSA standards

Robust, dependable and proven design features that meet or exceed established industry standards.

▶ Low impact operation

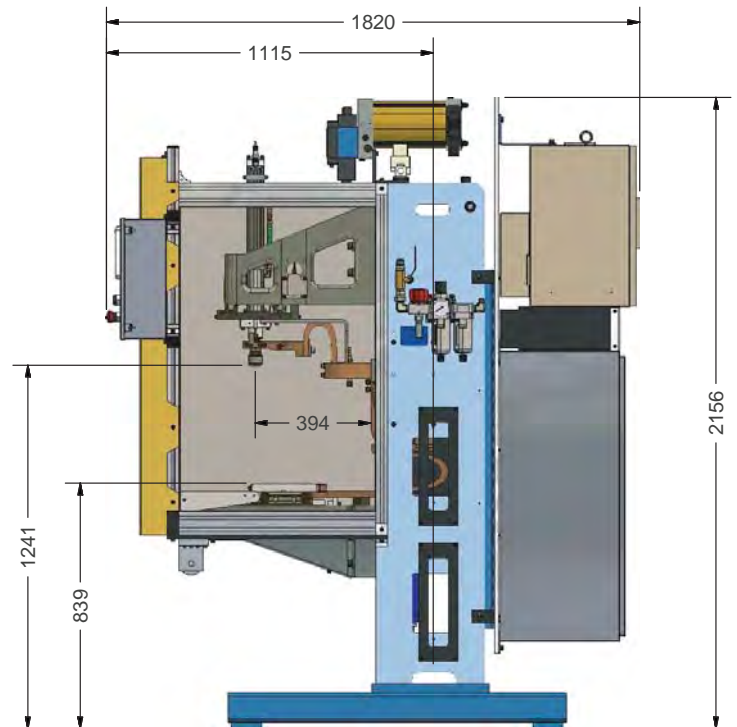
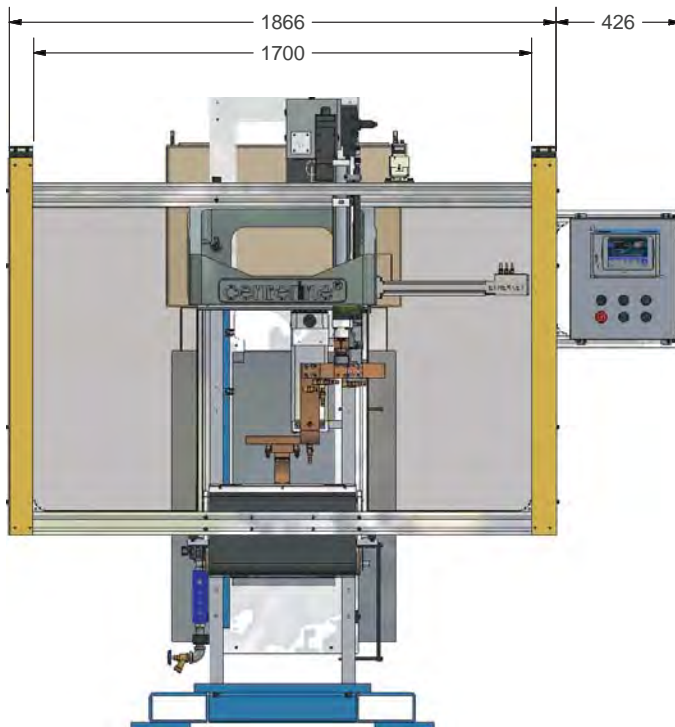
Reduces part damage/scrap, minimizes equipment and tooling wear, improves the life of weld consumables.

▶ Accommodates manual or robotic integration

▶ Incorporates CenterLine's VeriFast™ fastener detection technology

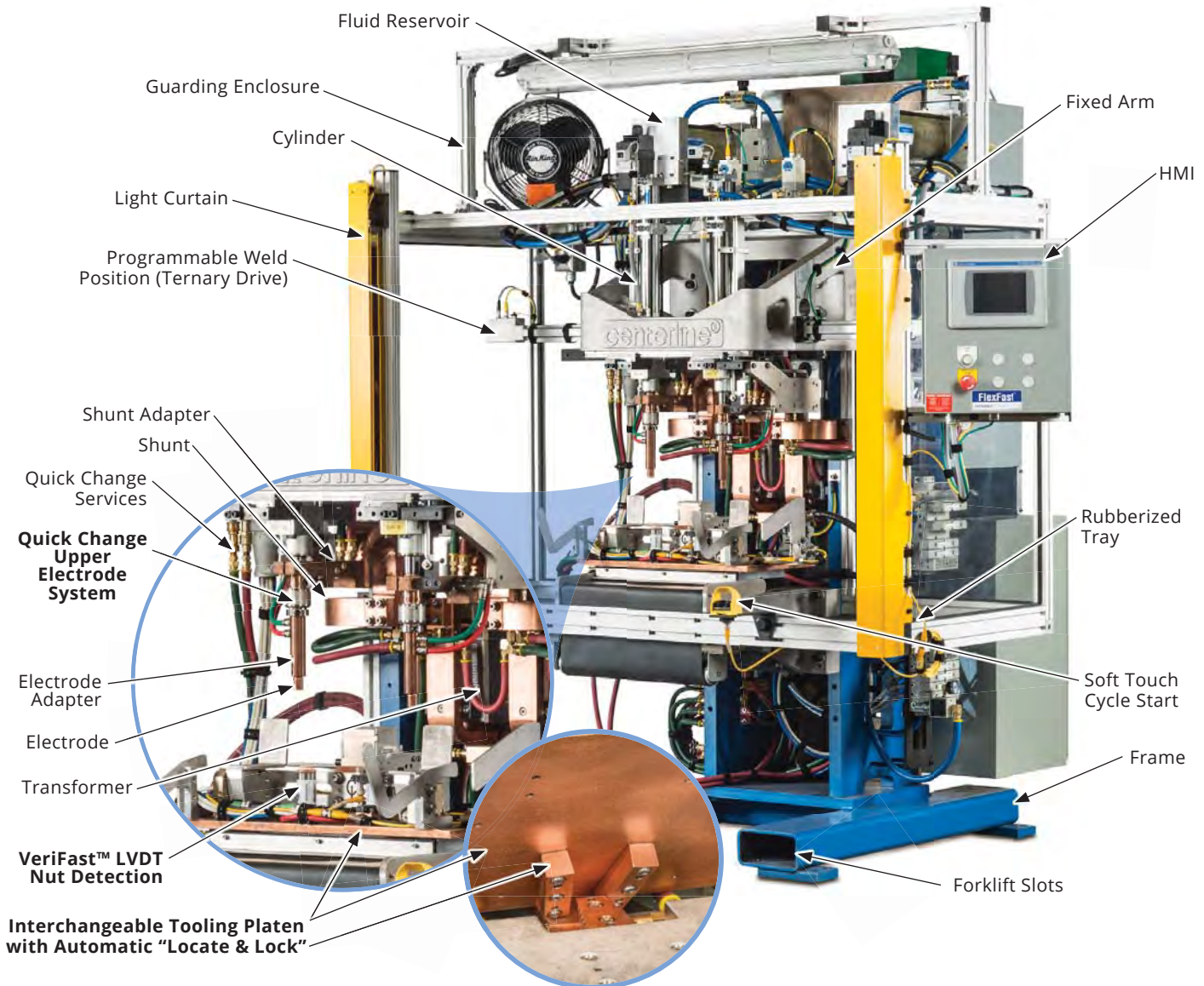
▶ Robust construction and modular design enables re-tooling for new projects

▶ Over 1000 FlexFast welders built



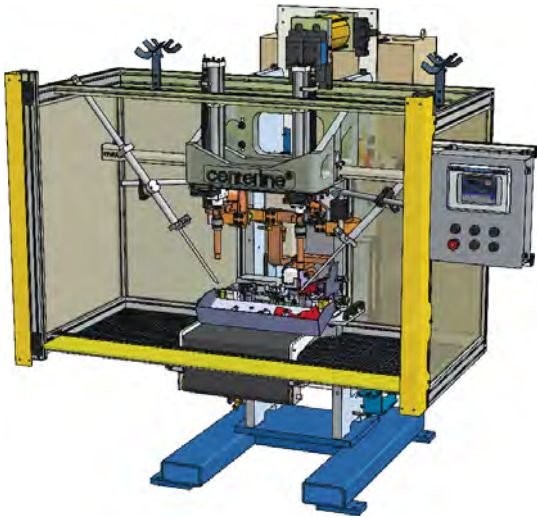
All dimensions in mm.

Standard Features



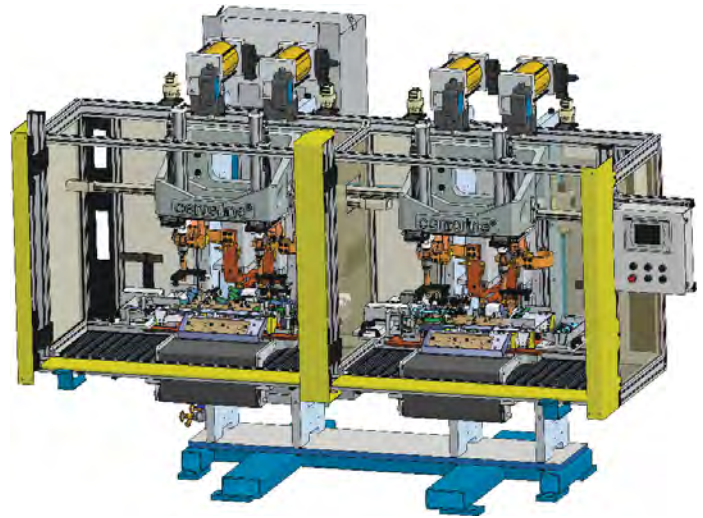
	FlexFast Standard	FlexFast HD
Working Envelope	200 mm x 400 mm	200 mm x 1400 mm
Maximum Welding Force	3630 kgf	7260 kgf
Interchangeable Tooling Platen	Fixed or 200 mm Programmable (front-to-back)	Fixed or 200 mm Programmable (front-to-back)
Fixed Weld Actuators (Manual Position Adjustment)	4 maximum	8 maximum
Programmable Weld Positioner	2 max., 300 mm travel/each (side-to-side)	4 max., 300 mm travel/each (side-to-side)
Dual Station Machine	Any combination of the FlexFast Standard and FlexFast HD.	

Configuration Examples



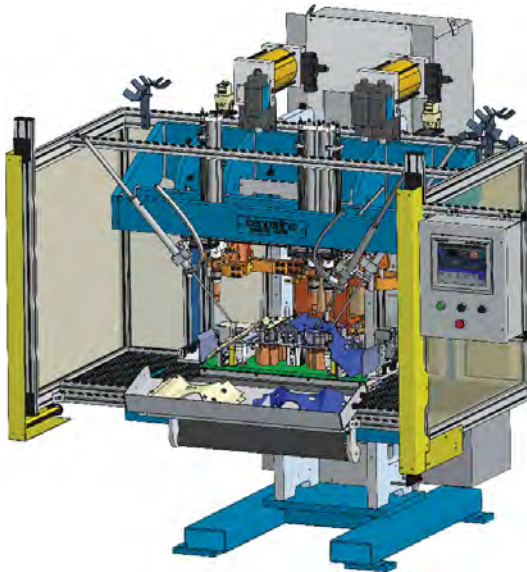
FlexFast Standard

- Two independent, programmable weld actuators
- Lower platen programmable in & out motion



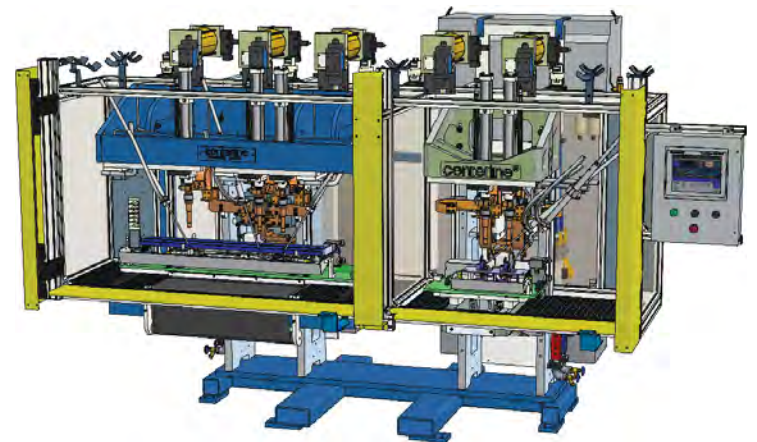
Dual Station FlexFast Standard

- Two individual platens
- Independent work areas
- Dual controls



FlexFast HD

- Wide platen
- High electrode forces
- Three OHMA® weld cylinders



Dual Station FlexFast HD / Standard

- Two individual platens
- Independent work areas
- Dual station FlexFast HD also available

Visit our website to view the [FlexFast product video](#) and obtain additional information.



Head Office:

CenterLine (Windsor) Ltd.
415 Morton Drive
Windsor, Ontario N9J 3T8
Canada

Website: www.cntrline.com

FlexFast Quotes
Sales
Service

Telephone

519-734-8464
519-734-6560
519-734-0080

Toll Free

800-820-6977
800-771-6172
800-268-8184

Email

rfqmachinery@cntrline.com
customerservice@cntrline.com
service@cntrline.com